

IFO2175-830

17" TFT Fanless Touch Panel Computer with Intel® Atom™ Processor N270

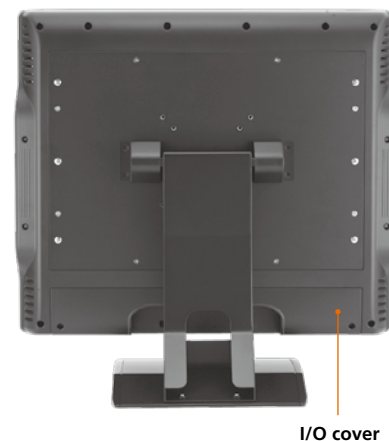


- | | | |
|------------------------------|---------------------------|----------------------|
| 1. Brightness adjust buttons | 5. Power connector | 10. USB 2.0 x 2 |
| 2. Volume adjust buttons | 6. COM 1 (RS-232/422/485) | 11. Audio (Line-out) |
| 3. Power LED | 7. COM 2 (RS-232) | 12. USB 2.0 x2 |
| 4. Power switch | 8. VGA | 13. COM 3 (RS-232) |
| | 9. Ethernet | 14. COM 4 (RS-232) |

Features



- 17" high brightness (380 nits) SXGA TFT LCD
- Intel® Atom™ processor N270 1.6 GHz
- Spill/dust resistant design (front panel: IP65, whole enclosure: IPX1)
- Fanless and noiseless operation
- Optional 1.3 mega pixels camera
- Optional wireless (802.11 b/g) antenna



I/O cover

Introduction

The IFO2175-830 is a slim panel computer equipped with 17-inch 380 nits SXGA LCD display and supports superior Intel® Atom™ processor N270. Powered by Intel® 945GSE+ICH7M core logic chipset with maximum 256 MB sharing graphics memory, this panel computer has better graphics performance. The panel computer also supports DualView and multiple I/O options including 4 USB 2.0, and 4 RS-232 ports. The built-in 1.3 mega pixels camera and speakers can provide the solution for VoIP and remote monitoring. Furthermore, the IFO2175-830 supports antenna for 802.11b/g wireless connection. Besides, the Gigabit Ethernet port can provide the extremely high speed of Ethernet. It features low noise, low power consumption, high reliability and high performance. Besides, the excellent ID

(industrial design) and user friendly interface design make the IFO2175-830 perfect with super slim, professional outlook, better user interface and excellent protection at once! This safe, reliable & user-friendly panel computer can ensure customer's project success and best suited for infotainment, media content display and DSA solutions.

Water/dust-proof design for entire system: IPX1

The IPX1-rating water/dust-proof housing protects the entire system from outside damage of water drip in public place. This unique design improves system stability and save maintenance/re-installation time.

Specifications

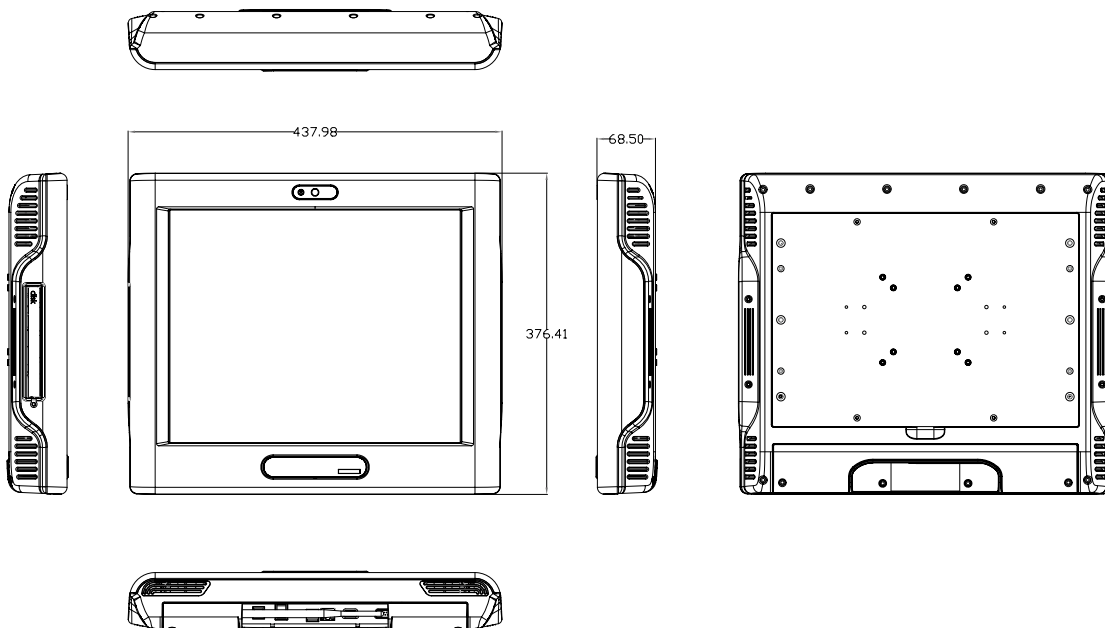
Front Bezel	Plastic ABS (Black)	BIOS	AMI BIOS with SmartView and customer CMOS backup	
LCD Panel	Display Type	17" SXGA TFT	Storage	1 x 2.5" SATA HDD (optional)
	Brightness (cd/m ²)	380 nits		1 x CompactFlash™
	Resolution	1280 x 1024	Optical Drive	1 x combo driver (option)
	Viewing Angle (H/V)	160° / 160°	Watchdog	255 levels, 1-255 sec.
Main System	CPU	Intel® Atom™ processor N270 1.6 GHz	Timer	
	Chipset	Integrated in Intel® 945GSE+ICH7M	Onboard	Integrated in Intel® 945GSE; max. memory shared 256 MB
	System Memory	1 x DDR2 SODIMM max. up to 2 GB	Graphics	

I/O Connector	3 x RS-232 (COM 2/3/4) 1 x RS-232/422/485 (COM 1) 4 x USB 2.0 1 x Audio (Line-out) 1 x VGA 1 x 10/100/1000Mbps Ethernet
Expansion Interface	1 x Mini card slot
Camera	1 x 1.3 mega pixels camera
Touchscreen	Resistive type
Power Supply	12V _{dc} , w/AC-DC power adaptor
Dimensions	437.98mm (17.24") (W) x 68.5mm (2.7") (D) x 376.41mm (14.82") (H)
Weight (net/gross)	7.65 kg (16.85 lb)/9 kg (19.84 lb)
Environmental	Operation temperature: 0° C - +40° C (32° F - 104° F) Relative humidity: 10% - 95%, non-condensing Shock: 10G peak acceleration (11 sec. duration)
Certification	CE

Ordering Information

IFO2175-830 with combo	17" TFT high brightness fanless panel computer with Intel® Atom™ N270, resistive T/S, slim combo and camera
IFO2175-830 w/o combo	17" TFT high brightness fanless panel computer with Intel® Atom™ N270, resistive T/S (w/o combo and camera)

Dimensions



Optional Accessories

E202003330	VM-101 VESA ARM (clamp type)
E202003329	VM-105 VESA ARM (wall mount type)
E222175103	17" stand kit

Optional EOS Installation

Windows® XP Embedded

Optional OS Installation

Windows® XP

Windows® 7

Touch Panel Computers for Various Industry Applications

Digital Signage and Display Solutions

Medical Panel Computers

Medical Grade Monitors

GOT Fanless Touch Panel Computers

Touch Panel Computers for Infotainment

Touch Panel Computers for Automation

Touch Panel Monitors for Automation